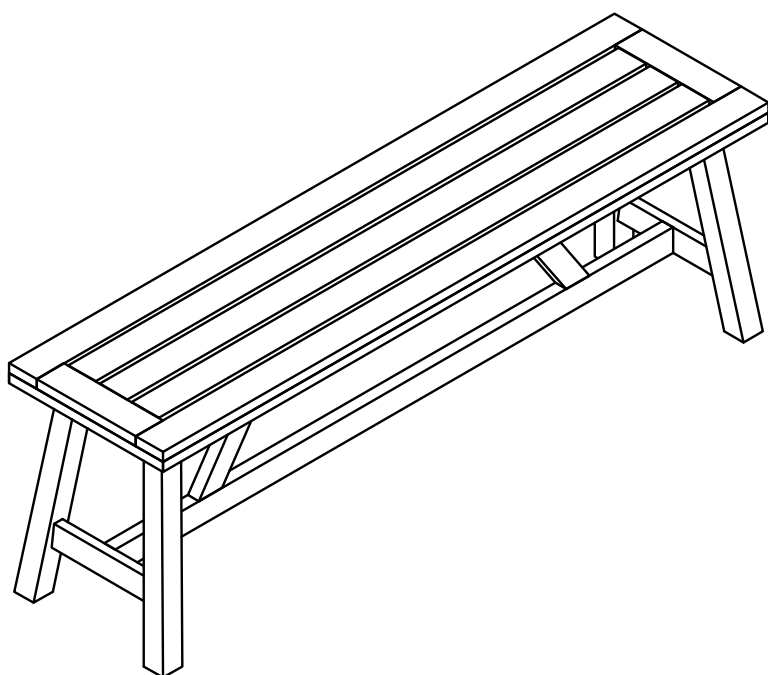









ASSEMBLY INSTRUCTIONS

CAPRI BENCH

It is recommended to have 2 adults on hand for assembly.
To ensure that parts for assembly match up correctly, some pieces may require tightening screws only part of the way and then completely adjusting all the hardware. Please use the guidelines where percentages are noted to do this.



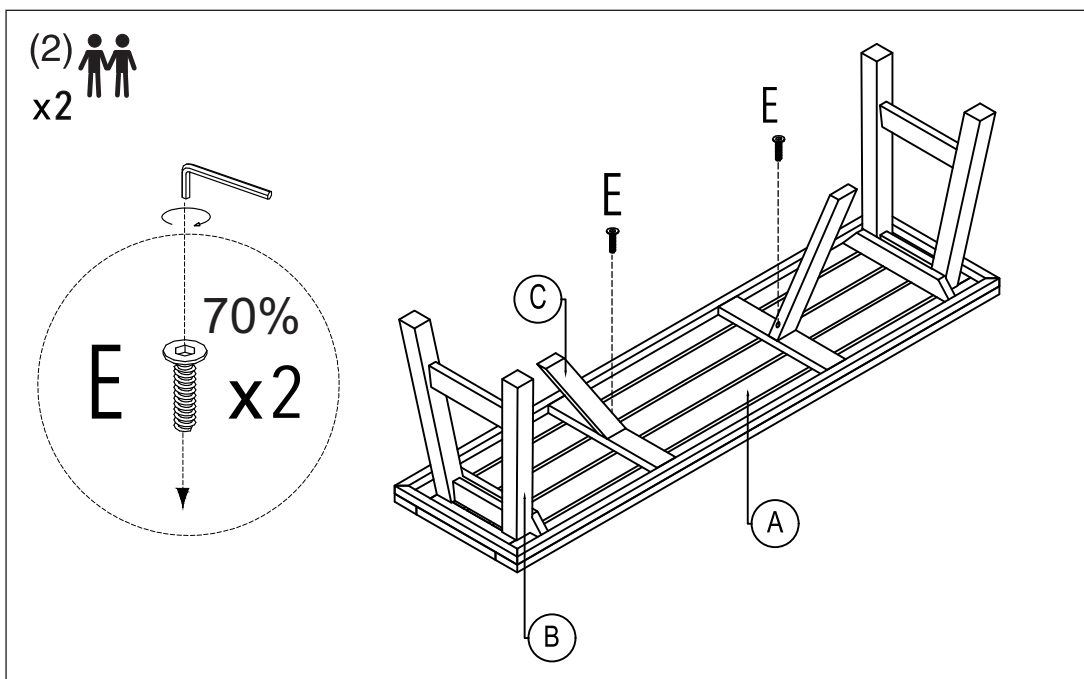
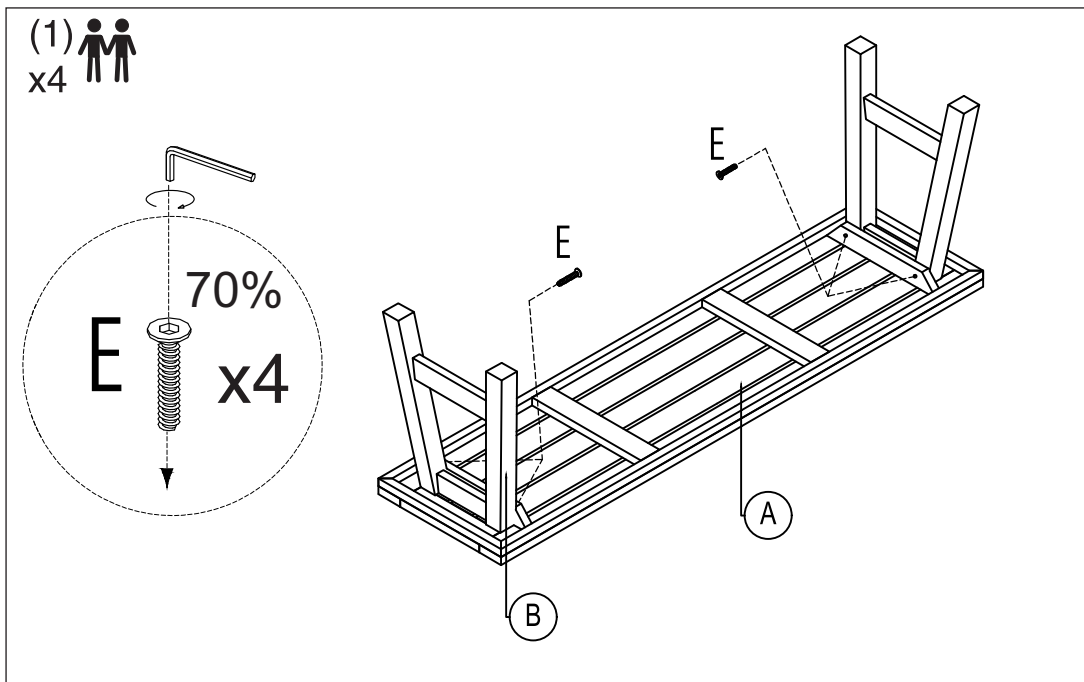
PARTS LIST

ITEM	DESCRIPTION	PICTURE	QTY
A	BENCH TOP		1
B	LEGS		2
C	SUPPORT BAR		2
D	CROSS BAR		1
E	M6 x 40MM SCREW		8
F	M6 x 60MM SCREW		2
G	ALLEN KEY		1

ASSEMBLY INSTRUCTIONS

CAPRI BENCH

Ensure that all bolts are tightened before use. Check and tighten all bolts periodically throughout use of the product.



ASSEMBLY INSTRUCTIONS

CAPRI BENCH

Ensure that all bolts are tightened before use. Check and tighten all bolts periodically throughout use of the product.

